

EBS-S500W

BOX PC, Fanless, For 3.5" SBC, Intel® Core™ Ultra Processor, DDR5 SO-DIMM, HDMI, DP, USB-C, Dual-LAN, Multiple COM, 9-36V DC

Features

- Provides rich I/O and expansion capabilities, including 4*USB3.2, 2*USB2.0, 1*USB-C and 4*COM ports
- Equipped with three M.2 slots for LTE/5G/WiFi 6E/BT 5.2 connectivity
- Wide range of power inputs (9~36V) and operating temperatures (-20°~60°)



Specifications

System	CPU	Intel® Core™ Ultra 7 processor 165U	Intel® Core™ Ultra 5 processor 135U
	TDP	15W	15W
	# of Cores	12	12
	Base Freq.	1.7 GHz	1.6 GHz
	Max Turbo Freq.	4.9 GHz	4.4 GHz
	Memory	2 x SO DIMM, DDR5 5600 MHz, supports up to 64GB	
External Interfaces	Display	1 x HDMI 2.0, supports up to 4096 x 2160 @ 60 Hz 1 x DP1.4, supports up to 5120 x 3200 @ 60 Hz	
	Ethernet	2 x 10/100/1000Mbps/2.5G, RJ45 (1 x Intel® i219LM, 1 x Intel® i226IT)	
	USB	4 x USB 3.2 Gen 2, type A 2 x USB 2.0, type A 1 x UCB-C (USB3.2, DP 1.4 Alt. Mode)	
	Audio	1 x Mic-in, 1 x Line-out	
	COM	4 x COM: RS-232/422/485	
	Storage	SATA	1 x SATA Gen 3.0 supports 2.5" SSD
Expansion Slot	M.2	1 x 3042/3052 M.2 B Key for LTE/5G device connected to Nano-SIM socket (PCIe x1)	
		1 x 2230 M.2 E key for WIFI 6E/BT 5.2 device (USB 2.0/ PCIe x1/ CNVi)	
		1 x 2280 M.2 M key for PCIe storage (PCIe x4)	
Power	Power	9-36V DC input	
Mechanical	Mounting	Wall mount/ VESA mount (optional)	
	Dimensions	186 x 135 x 80 (mm)	
Security	TPM	TPM-SPI-A powered by Infineon SLB9672 (optional)	
System	OS	Windows 10 IoT Enterprise	
	Watchdog Timer	Yes	
Environment	Operating Temp.	-20~60°	
	Non-Operating Temp.	-40~85° C	
	Relative Humidity	10~95% (non condensing)	
Certification	Safety	CB, CE-LVD, BSMI	
	EMC	CE (ITE), FCC ,VCCI, BSMI	
	Green	GA (RoHS)	

Front I/O



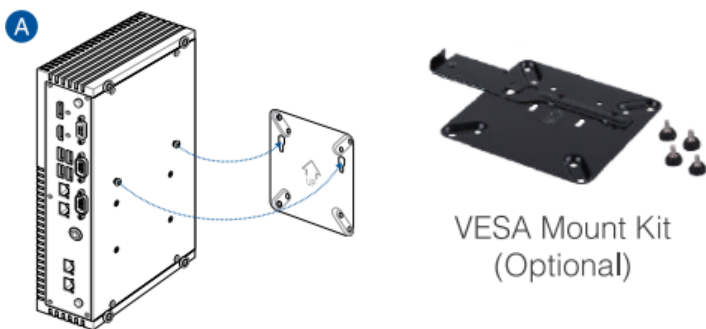
Power IO

SKU1: Phoenix socket
SKU2: DC in

Rear I/O



VESA Mount



Wall Mount

