

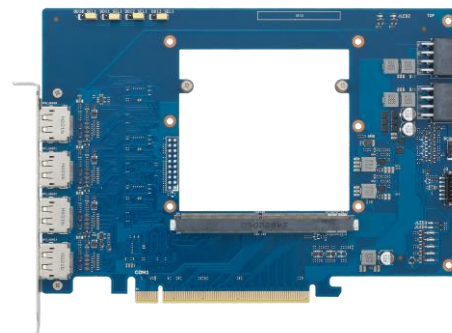
MXM Dev-Kit

PCI-E-TO-MXM ADAPTER CARD

Supports MXM 3.1 Type A and Type B GPU modules for development of early-stage and quick validation of GPU embedded applications

Features

- Supports MXM 3.1 Type A and Type B GPU modules
- Supports 4x DisplayPort or 4x HDMI display outputs
- Supports PCIe 4.0 x16 and converts the MXM slot to the PCI Express slot
- Compatible with the ASUS IoT Embedded MXM GPU Module
- CE and FCC Class B

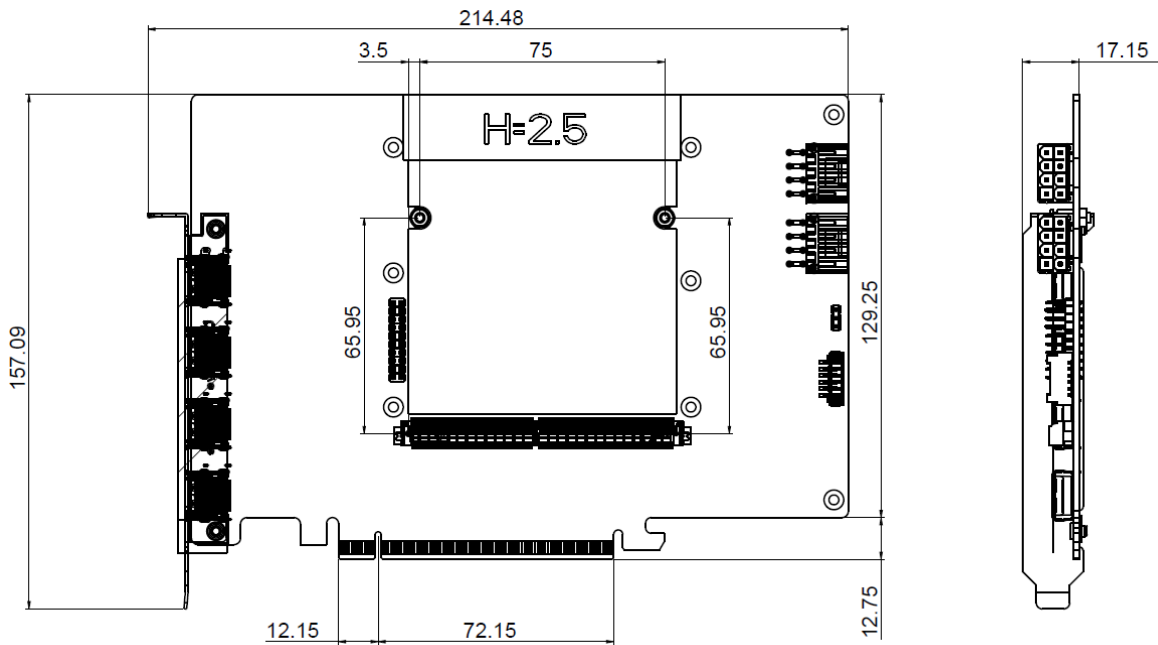


Specifications

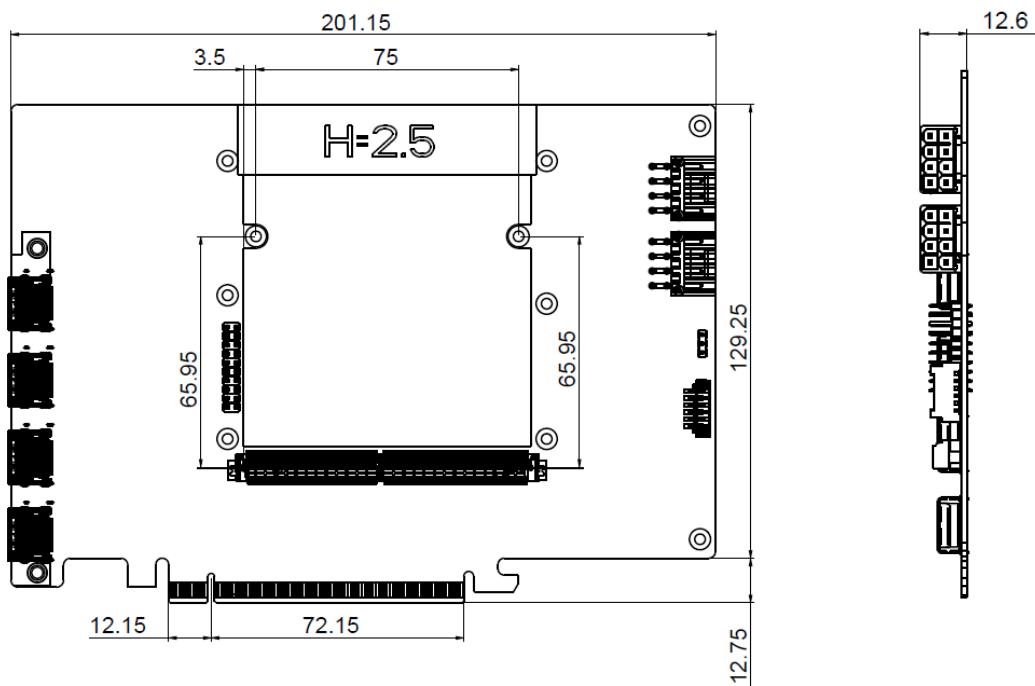
Supported MXM Modules	Support MXM 3.1 type A (82 x 70mm) & type B (82 x 105mm) Support TDP 200W*. *The design is reserved for a maximum TDP of 200W, with actual usage dependent on MXM GPU specifications.
Display Outputs	Config.1 * : 4x DP 1.4a/2.0, supporting a maximum resolution of 7680x4320 @60Hz (* by MXM display design) Config.2 * : 4x HDMI 2.0/2.1 port, supporting a maximum resolution of 3840 x 2160 @60Hz (* by MXM display design)
Fan Connectors	12V DC fan power connector
Ext. Power Input	8-pin ATX power connector
PCI Express configurations	Gen4 x16
Dimensions	214.48 mm x 157.08 mm (w/ IO Bracket)
Weight	0.15 Kg
Operating Temp.	0 ~ 60°C
Storage Temp.	-40 ~ 85°C
Relative Humidity	5 to 95% (non-condensing)
OS Support	Windows 11, 10 64-bit, Ubuntu 22.04 LTS
Certification	EMI : BSMI; CE/FCC Class B Safety : BSMI

Dimensions

w/ IO bracket



w/o IO bracket



Optional Accessories

Item

Fansink for Type A MXM with screws pack

Fansink for Type B MXM with screws pack

Order Information

Model name	Part number	Description
PCIE-TO-MXM ADAPTER CARD	90ME0870*	PCIE-TO-MXM ADAPTER CARD/ DP //
PCIE-TO-MXM ADAPTER CARD	90ME0871*	PCIE-TO-MXM ADAPTER CARD/ HDMI //

* The part number might vary for different regulations and package. Please consult the TPM in your region for exact 90PN.