

Q670EA-IM-A

ATX, LGA1700 Socket for 14th / 13th / 12th Gen. CPU, Q670E Chipset, 4*U-DIMM, 3*Lan, 2*PCIe x16 slots, 2*PCI, VGA, HDMI, DP++, 2*M.2 slot, 6*COM, 7*SATA

Features

- Support up to 125W Intel® 14th / 13th / 12th Gen. CPU
- 2* PCIe x16 slots support dual graphic cards
- Four U-DIMM up to 128GB DDR5 4400 MHz
- Supports multiple displays: VGA/ HDMI / DP
- 7-year longevity supply

Specifications

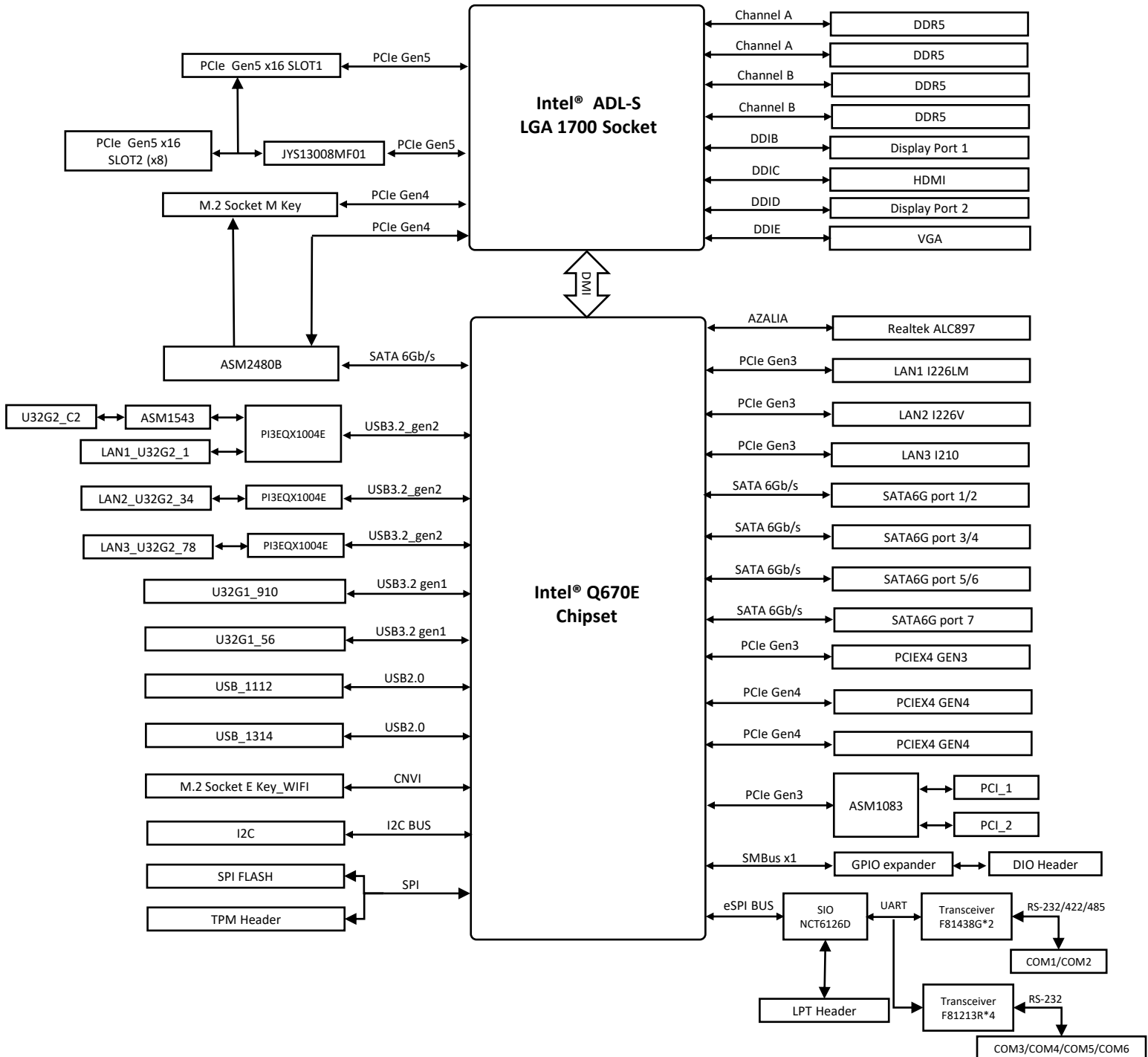


Processor System	CPU	LGA1700 for Intel® 14 th / 13 th / 12 th Gen. Core™ i9/ i7/ i5/ i3/ Pentium® /Celeron® Processors Max. 125W TDP
	Chipset	Intel® Q670E Chipset
Memory	Technology	DDR5 4400MT/s (2DPC - 1DIMM 1R&2R) 4000MT/s (2DPC - 2DIMM 1R) 3600MT/s (2DPC - 2DIMM 2R)
	Max.	128GB
	Socket	4 x U-DIMM
Display	Display Port	2, Supports DP++ 1.4, up to 4096 x 2160 @ 60Hz
	HDMI	1, Supports 2.1, up to 4096 X 2160 @ 60Hz
	VGA	1
	Multiple displays	Max.4 displays, VGA+Dual DP.+HDMI
Expansion Slot	PCIe	1 x PCIe 5.0 x16 Slot (1 x16 mode/ 2 x8 mode) 1 x PCIe 4.0 x4 Slot (x4 mode, open slot) 1 x PCIe 5.0 x16 Slot (x8 mode) 1 x PCIe 3.0 x4 Slot (x4 mode, open slot) 1 x PCIe 4.0 x4 Slot (x4 mode, open slot)
	PCI	2
	M.2	1 x M.2 M key, Type 2242/2260/2280 (PCIe x4 /SATA mode) supports NVMe 1 x M.2 E key, type 2230 for WIFI/BT device (only support Intel® CNVi) *If install CNVI Wifi card on M.2 E key slot, USB port14 will be disabled.
Ethernet	Speed	10/100/1000/2500 Mbps
	Controller	1 x Intel® i210AT 1 x Intel® i226V 1 x Intel® i226LM (Intel vPro supported)
	Connector	3 x RJ-45
Audio	Codec	Realtek ALC897
Storage	SATA port	7 x SATA Gen 3.0, Up to 6Gb/s, Support RAID 0,1,5,10
Rear I/O	Display Port	2, Supports DP++ 1.4, up to 4096 x 2160 @ 60Hz
	HDMI	1, Supports 2.1, up to 4096 X 2160 @ 30Hz
	VGA	1
	USB 3.2 Gen2	6 (5 x type A, 1 x Type C)
	Ethernet	3 x RJ45
	Serial Port	1 (RS232/422/485)
	Audio jack	3 (Line-Out, Line-In, Mic in)

Specifications

Internal Connector	COM Header	5 x COM Headers (1 x RS232/422/485, 4 x RS232)	
	USB3.0 Gen1	2 x Headers Support Additional 4 x USB3.2 Gen1 Ports	
	USB2.0	2 x Headers Support Additional 4 x USB2.0 Ports	
	CPU Fan/ Chassis Fan	1 x Header (PWM Mode) / 3 x Headers (PWM Mode)	
	Front Panel Audio (AAFP)	1 x Header	
	System Panel	1 x Header	
	Chassis Intrusion	1 x Header	
	Speaker connector	1 x Header	
	I2C Header	1 x Header	
	Clear CMOS	1 x Header	
	COM Debug	1 x Header	
	LPT port header	1 x Header	
	Buzzer	1	
	PS/2	1 x Header	
	SPDIF	1 x Header	
	GPIO	1 x Header (8 Bit)	
	DIS ME jumper	1 x Header	
	AT/ATX Select Header (Jumper)	1 x Header	
	Power connector	1 x 24-pin ATX Power connector, 1 x 8-pin ATX 12V Power connector	
Security	TPM	1 x SPI TPM header	
Watchdog Timer	H/W	YES	
Power Type	Power Type	AT mode/ ATX mode	
OS & Software Support	Microsoft Windows	Windows® 10 (64bit) / Windows® IoT enterprise	
	Linux	Ubuntu, RedHat Enterprise, Fedora Workstation, OpenSUSE	
	ASUS IoT Suite	<input checked="" type="checkbox"/> HW Monitor <input checked="" type="checkbox"/> Watch Dog Timer <input checked="" type="checkbox"/> Buzzer (API only)	<input checked="" type="checkbox"/> Power Scheduling <input checked="" type="checkbox"/> GPIO <input checked="" type="checkbox"/> I2C (API only) <input checked="" type="checkbox"/> Linux Sample code
	User Interfaces	<input checked="" type="checkbox"/> API	<input checked="" type="checkbox"/> GUI
Environment	Operating Temperature	0~60° C	
	Non-Operating Temperature	-40~85° C	
	Relative Humidity	Operational humidity: 40° C@10%~95%	
Mechanical	Dimensions	ATX, 305 x 244 mm	
Certification	EMC (CLASS B)	CE, FCC, BSMI, VCCI, RCM	
	Safety	CE-LVD	

Block Diagram



Order Information

Model name	Part number	Description
Q670EA-IM-A	90ME06J*	LGA1700, Q670E, DP, HDMI, VGA, MB

* The part number might vary for different regulations and package. Please consult the TPM in your region for exact 90PN.

Packing List

Part number	Description	Quantity
13020*	IO shield	1
14013*	SATA 6G CABLE	1
13020*	M.2 SCREW PACK	2

* The part number might vary due to part number revision.